



ES10-10ES/ES10-22DM
ES10-10MM/ES10-22MM
ES12-12ES/ES12-25DM
ES12-12MM/ES12-25MM
Electric Stacker 1.0/1.2t

- Electric Stacker With Smallest Working Space Needed
- Innovative Design of Low Energy Consumption and High Reliability
- Long & Aside Tiller Design Makes Operations Safe and Convenient

EP EQUIPMENT CO.,LTD
www.ep-ep.com



FEATURE

Performance

- Robust Structure;
- Highly specialized drive and hydraulic system ensure excellent driving performance and high reliability.
- Low-noise and durable hydraulic unit, high quality cylinder as well as hose ensure high reliability of hydraulic system.
- AMP connector and durable electric wires greatly reduce malfunctions of components.
- Straddle Chassis option offers stability of high stack operation.



Safety

- Safety hydraulic design prevents mast from falling down abruptly when oil pipes cut off.
- Belly button prevents truck from hitting operator.
- By simply pressing emergency disconnect, power supply will be immediately interrupted.
- Multi lifting limited switch ensures travel safety.
- Truck automatically switches to low speed mode, when lifting height is higher than setting height.
- Anti-rolling back braking device ensures trucks don't roll back on ramps.

Operation

- Ergonomic tiller head for effortless and comfortable operations.
- Tiller with long arm for smooth steering.
- Compact chassis design offers smallest turning radius needed.
- Side operating ensures excellent visibility.
- On-board Charger.

Maintenance

- Maintenance-free Battery.
- Battery display indicator with hour meter, reminds operator of charging on time (optional).
- Easy Maintenance — detachable rear panel.
- Self-Diagnostics signal on the digital display allows easy trouble-shooting.
- Easy Access of Hand Set.
- Low-voltage Cut-off Protection.

Electric Stacker 1.0t

ES10-10ES/ES10-22DM/ES10-10MM/ES10-22MM

Distinguishing mark							
1.1	Manufacturer			EP	EP	EP	EP
1.2	Model designation			ES10-22DM	ES10-10MM	ES10-22MM	ES10-10ES
1.3	Drive unit			Electrics	Electrics	Electrics	Electrics
1.4	Operator type			pedestrian	pedestrian	pedestrian	pedestrian
1.5	rated capacity	Q	kg	1000	1000	1000	1000
1.6	Load center distance	c	mm	600	600	600	600
1.8	Load distance, centre of drive axle to fork	x	mm	845	805	850	795
1.9	Wheelbase	y	mm	1290	1126	1210	1240
Weight							
2.1	Service weight (include battery)		kg	625	462	543	540
2.2	Axle loading, laden driving side/loading side		kg	720/905	641/821	683/860	652/888
2.3	Axle loading, unladen driving side/loading side		kg	497/128	343/119	420/123	419/121
Types, Chassis							
3.1	Tyre type Driving w heels/Loading w heels			PU/PU	PU/ PU	PU/ PU	PU/PU
3.2	Tyre size, driving w heels (diameter×width)		mm	Ø210×70	Φ210x70	Φ210x70	Ø210×70
3.3	Tyre size, loading w heels (diameter×width)		mm	Ø100×50	Φ80x60	Φ100x50	Ø80×60
3.4	Tyre size, caster w heels (diameter×width)		mm	Ø100×50	Φ130x55	Φ100x50	Ø130×55
3.5	Wheels, number driving, caster/loading (x=drive)		mm	1x +1/4	1x+ 1/ 4	1x+ 1/ 4	1x +1/4
3.6	Track width, front,driving side	b ₁₀	mm	533	533	533	533
3.7	Track width, rear,loading side	b ₁₁	mm	1060/1160/ 1260 /1360	380	1060/1160/ 1260 /1360	400
Dimensions							
4.1	Tilt of mast/fork carriage forward/backward	α/ β	°	—	—	—	—
4.2	Height, mast lowered	h ₁	mm	2056	1940	1940	2026
4.3	Free lift	h ₂	mm	—	1490	1450	—
4.4	Lift height	h ₃	mm	2930	1520	1520	2930
4.5	Height, mast extended	h ₄	mm	3895	1970	1940	3491
4.6	Initial lift	h ₅	mm	—	—	—	—
4.9	Height draw bar in driving position min./max.	h ₁₄	mm	860/ 1200	860/ 1200	860/ 1200	860/ 1200
4.10	Height of wheel arms	h ₈	mm	100	—	100	—
4.15	Lowered height	h ₁₃	mm	60	88	60	88
4.19	Overall length	l ₁	mm	1650	1615	1570	1740
4.20	Length to face of forks	l ₂	mm	580	465	500	590
4.21	Overall width	b ₁ / b ₂	mm	1135/1235/ 1335 /1435	800	1135/1235/ 1335 /1435	800
4.22	Fork dimensions	s/ e/ l	mm	40/ 100/ 1070	60/ 170/ 1150	35/ 100/ 1070	55/160/1150
4.24	Fork carriage width	b ₃	mm	800	680	780	600
4.25	Distance between fork-arms	b ₅	mm	200~765	550	200~765	560
4.26	Distance between wheel arms	b ₄	mm	100	—	100	—
4.31	Ground clearance, laden, below mast	m ₁	mm	—	—	—	—
4.32	Ground clearance, center of wheelbase	m ₂	mm	40	30	40	30
4.34.1	Aisle width for pallets 1000 × 1200 crossways	Ast	mm	2255	2137	2175	2225
4.34.2	Aisle width for pallets 800 × 1200 lengthways	Ast	mm	2180	2062	2100	2150
4.35	Turning radius	Wa	mm	1404	1295	1329	1408
Performance data							
5.1	Travel speed, laden/ unladen		km/ h	3.5/4	3.5/4	3.5/4	3.5/4
5.2	Lifting speed, laden/ unladen		m/ s	0.12/0.22	0.12/ 0.22	0.12/ 0.22	0.12/0.22
5.3	Lowering speed, laden/ unladen		m/ s	0.12/0.11	0.12/ 0.11	0.12/ 0.11	0.12/0.11
5.8	Max. gradeability, laden/unladen		%	3/10	3/ 10	3/ 10	3/10
5.10	Service brake type			Electromagnetic	Electromagnetic	Electromagnetic	Electromagnetic
Electric engine							
6.1	Drive motor rating S2 60 min		kW	0.65	0.65	0.65	0.65
6.2	Lift motor rating at S3 15%		kW	2.2	2.2	2.2	2.2
6.3	The maximum allowed size battery		mm	325x180x230	270x180x230	270x180x230	325x180x230
6.4	Battery voltage/nominal capacity K20		V/ Ah	2x12/105	2x12/85	2x12/85	2x12/105
6.5	Battery weight		kg	2x30	2x25	2x25	2x30
Addition data							
8.1	Type of drive unit			DC	DC	DC	DC
10.5	Steering type			Mechanical	Mechanical	Mechanical	Mechanical
10.7	Sound pressure level at the driver's ear			74	74	74	74

1.The parameters in the table are of the standard model. For more information, please contact us.
2.The parameters are subject to change without notice.

Electric Stacker 1.2t

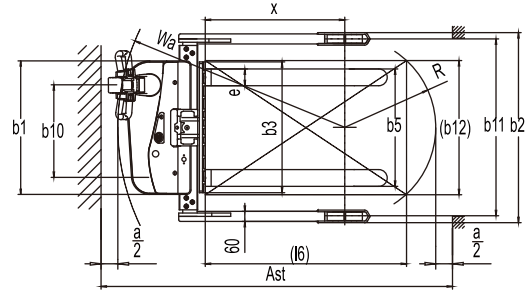
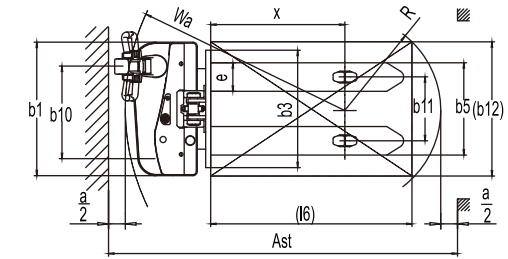
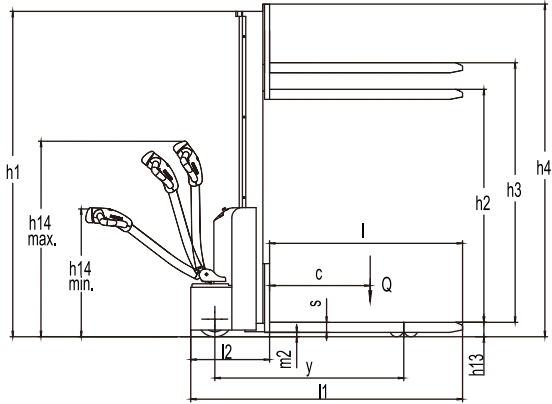
ES12-12ES/ES12-25DM/ES12-12MM/ES12-25MM

Distinguishing mark							
1.1	Manufacturer			EP	EP	EP	EP
1.2	Model designation			ES12-12MM	ES12-25MM	ES12-12ES	ES12-25DM
1.3	Drive unit			Electrics	Electrics	Electrics	Electrics
1.4	Operator type			pedestrian	pedestrian	pedestrian	pedestrian
1.5	rated capacity	Q	kg	1200	1200	1200	1200
1.6	Load center distance	c	mm	600	600	600	600
1.8	Load distance, centre of drive axle to fork	x	mm	805	850	795	845
1.9	Wheelbase	y	mm	1126	1210	1240	1290
Weight							
2.1	Service weight (include battery)		kg	462	543	661	676
2.2	Axle loading, laden driving side/loading side		kg	741/921	783/960	845/1016	837/1039
2.3	Axle loading, unladen driving side/loading side		kg	343/119	420 / 123	536/125	549 / 127
Types, Chassis							
3.1	Tyre type Driving wheels/Loading wheels			PU/ PU	PU/ PU	PU/PU	PU/PU
3.2	Tyre size, driving wheels (diameter×width)		mm	Φ210x70	Φ210x70	Ø210×70	Ø210×70
3.3	Tyre size, loading wheels (diameter×width)		mm	Φ80x60	Φ100x50	Ø80×60	Ø100×50
3.4	Tyre size, caster wheels (diameter×width)		mm	Φ130x55	Φ100x50	Ø130×55	Ø100×50
3.5	Wheels, number driving, caster/loading (x=drive)		mm	1x+ 1/ 4	1x+ 1/ 4	1x +1/4	1x +1/4
3.6	Track width, front,driving side	b ₁₀	mm	533	533	533	533
3.7	Track width,rear,loading side	b ₁₁	mm	380	1060/1160/ 1260	400	1060/1160/ 1260
Dimensions							
4.1	Tilt of mast/fork carriage forward/backward	α/ β	°	—	—	—	—
4.2	Height, mast lowered	h ₁	mm	1940	1940	2056	2086
4.3	Free lift	h ₂	mm	1490	1450	—	—
4.4	Lift height	h ₃	mm	1520	1520	2930	2930
4.5	Height, mast extended	h ₄	mm	1970	1940	3521	3935
4.6	Initial lift	h ₅	mm	—	—	—	—
4.9	Height drawbar in driving position min./max.	h ₁₄	mm	860/ 1200	860/ 1200	860/ 1200	860/ 1200
4.10	Height of wheel arms	h ₈	mm	—	100	—	—
4.15	Lowered height	h ₁₃	mm	88	60	88	60
4.19	Overall length	l ₁	mm	1615	1570	1740	1650
4.20	Length to face of forks	l ₂	mm	465	500	590	580
4.21	Overall width	b ₁	mm	800	1135/1235/ 1335	800	1135/1235/ 1335
4.22	Fork dimensions	s/ e/ l	mm	60/ 170/ 1150	35/ 100/ 1070	60/ 170/ 1150	40/ 100/ 1070
4.24	Fork carriage width	b ₃	mm	680	780	680	800
4.25	Distance between fork-arms	b ₅	mm	550	200~765	570	200~765
4.26	Distance between wheel arms	b ₄	mm	—	100	—	100
4.31	Ground clearance, laden, below mast	m ₁	mm	—	—	—	—
4.32	Ground clearance, center of wheelbase	m ₂	mm	30	40	30	40
4.34.1	Aisle width for pallets 1000 × 1200 crossways	Ast	mm	2137	2175	2225	2255
4.34.2	Aisle width for pallets 800 × 1200 lengthways	Ast	mm	2062	2100	2150	2180
4.35	Turning radius	Wa	mm	1295	1329	1408	1404
Performance data							
5.1	Travel speed, laden/ unladen		km/ h	3.5/4	3.5/4	3.5/4	3.5/4
5.2	Lifting speed, laden/ unladen		m/ s	0.12/ 0.22	0.12/ 0.22	0.12/0.22	0.12/0.22
5.3	Lowering speed, laden/ unladen		m/ s	0.12/ 0.11	0.12/ 0.11	0.12/0.11	0.12/0.11
5.8	Max. gradeability, laden/unladen		%	3/ 10	3/ 10	3/10	3/10
5.10	Service brake type			Electromagnetic	Electromagnetic	Electromagnetic	Electromagnetic
Electric engine							
6.1	Drive motor rating S2 60 min		kW	0.65	0.65	0.65	0.65
6.2	Lift motor rating at S3 15%		kW	2.2	2.2	2.2	2.2
6.3	The maximum allowed size battery		mm	270x180x230	270x180x230	325x180x230	325x180x230
6.4	Battery voltage/nominal capacity K5		V/ Ah	2x12/85	2x12/85	2x12/105	2x12/105
6.5	Battery weight		kg	2x25	2x25	2x30	2x30
Addition data							
8.1	Type of drive unit			DC	DC	DC	DC
10.5	Steering type			Mechanical	Mechanical	Mechanical	Mechanical
10.7	Sound pressure level at the driver's ear			74	74	74	74

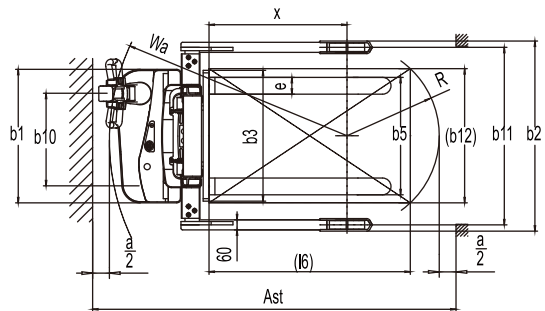
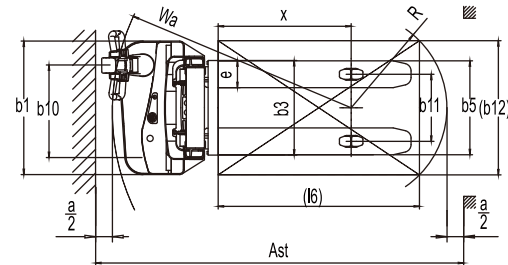
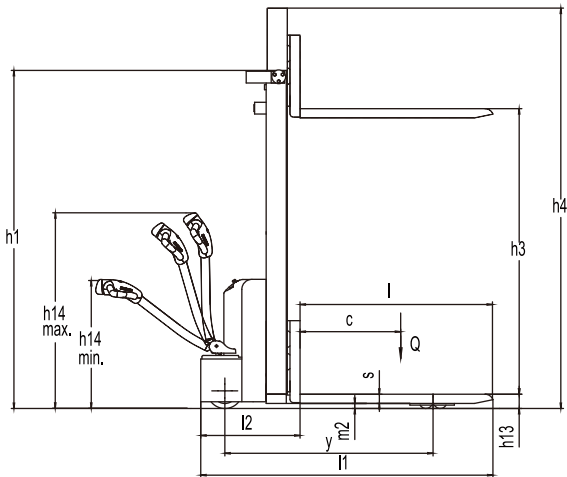
1.The parameters in the table are of the standard model. For more information, please contact us.

2.The parameters are subject to change without notice.

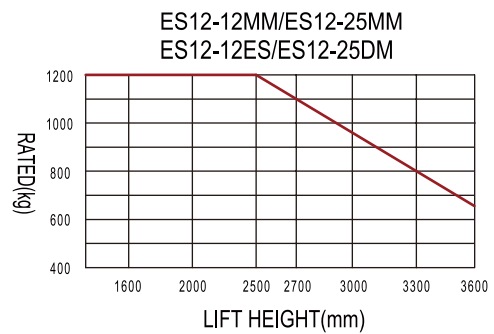
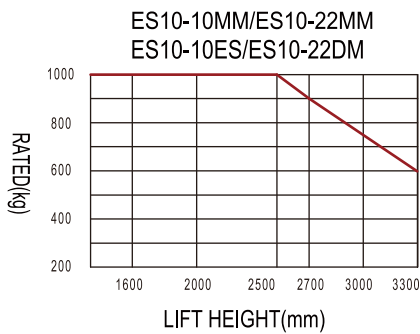
ES10-10MM/ES10-22MM/ES12-12MM/ES12-25MM



ES10-10ES/ES10-22DM/ES12-12ES/ES12-25DM



RATED CAPACITIES GRAPH



Mast Option

mast types	Lift h3+h13(mm)	Lowered mast height h1(mm)	Free lift h2 (mm)	Extended mast height h4(mm)
ES10-10MM	1605	1940	1490	1970
	1955	2290	1840	2320
ES12-12MM	1560	1940	1450	1940
	1910	2290	1800	2290
ES10-10ES	2515	1776	—	2991
	2715	1876	—	3291
	3015	2026	—	2491
	3315	2176	—	3791
ES10-22DM	2470	1806	—	3395
	2670	1906	—	3595
	2970	2056	—	3895
	3270	2206	—	4195
ES12-12MM	1605	1940	1490	1970
	1955	2290	1840	2320
ES12-25MM	1560	1940	1450	1940
	1910	2290	1800	2290
ES12-12ES	1205	1579	1120	1609
	1405	1779	1320	1809
	1605	1979	1520	2009
	1705	2079	1705	2109
	2515	1806	—	3021
	2715	1906	—	3221
	3015	2056	—	3521
	3315	2206	—	3787
ES12-25DM	3615	2356	—	4087
	1160	1603	1110	1640
	1360	1803	1310	1840
	1560	2003	1510	2040
	1660	2103	1610	2140
	2470	1836	—	3435
	2670	1936	—	3635
	2970	2086	—	3935
	3270	2236	—	4235
	3570	2386	—	4535

Option

options	ES10-10MM	ES10-10ES	ES10-22MM	ES10-22DM
Fork outer width	●685mm/600mm	●685mm/600mm	—	—
Battery	—	●85AH/105AH /120AH	—	●85AH/105AH /120AH
Backrest	—	—	●	○
battery indicator with hour meter	●	●	●	●
Driving wheel	●PU wheel with Pattern	●PU wheel with Pattern	●PU wheel with Pattern	●PU wheel with Pattern
Height limitation	—	●	—	●
● Options ○ Standard				
options	ES12-12MM	ES12-12ES	ES12-25MM	ES12-25DM
Fork outer width	●685mm/600mm	●685mm/600mm	—	—
Battery	—	●85AH/120AH	—	●85AH/120AH
Backrest	—	—	●	○
battery indicator with hour meter	●	●	●	●
Driving wheel	●PU wheel with Pattern	●PU wheel with Pattern	●PU wheel with Pattern	●PU wheel with Pattern
Height limitation	—	●	—	●
● Options ○ Standard				